



# DIRECTOR COLLECTION™



D59



D57



D57 DT | SUR



D50-8



# Table of Contents

1. Introduction	1
2. Specifications	2
3. What's Included	2
4. Product Features	3
5. Required Tools	5
6. Speaker Wire Recommendation	5
7. Speaker Wire Installation Guidance	6
8. Speaker Placement Guidance	9
9. Cutting the Hole	10
10. Installation Guidance	10
11. Final Sound Adjustments	17
12. Adding the Grille	18
13. Troubleshooting	19
14. Technical Assistance	20
15. Limited Lifetime Warranty	21
16. Return Process	22



## 1. Introduction

Thank you for purchasing the Director 5" In-Ceiling Speaker.

At Origin Acoustics, we take pride in providing you with a high quality product. All of Origin Acoustics' speakers are designed to have excellent sound quality, longevity, and a simple installation process.

This instruction booklet cover the necessary information for a smooth installation, including: the tools you will need, step-by-step instructions for installation, troubleshooting tips for any errors that may occur, and all warranty information. If for any reason you experience problems or if you have installation questions please call us at (844) 674-4461. Hours of operation are 8:00am to 5:00pm (Pacific Time), Monday through Friday.

## 2. Specifications

SPECIFICATIONS	ALL 5" SERIES
Cutout Diameter	5 7/8" (150mm)
Speaker Diameter	6 3/4" (172mm)
Grille Diameter	7 3/16"(182mm)
Grille Depth	3/16" (5mm)

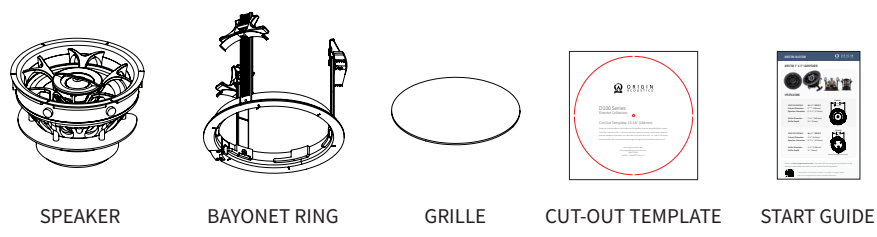
MODEL	D59	D57	D57DT/SUR
<b>PART</b>	<b>SCD50900</b>	<b>SCD50700</b>	<b>SCD2T50700</b>
<b>Tweeter</b>	1" Silk DPSD™ MMP™	1" Silk DPSD™ MMP™	3/4" Dual Silk DPSD™
<b>Woofers</b>	5 1/4" Kevlar®	5 1/4" Glass Fiber	5 1/4" Glass Fiber
<b>Frequency Response</b>	68Hz-20kHz	69Hz-20kHz	69Hz-20kHz
<b>Power RMS</b>	40 Watts	40 Watts	40 Watts
<b>Power Peak</b>	125 Watts	125 Watts	125 Watts
<b>Impedance</b>	6 ohm	6 ohm	6 ohm
<b>Mounting Depth</b>	3 3/4" (95mm)	3 3/4" (95mm)	3 3/4" (95mm)

MODEL	D50-8
<b>PART</b>	<b>SCD5000-8</b>
<b>Tweeter</b>	1" Silk Pivoting
<b>Woofers</b>	5 1/4" Poly/Rubber
<b>Frequency Response</b>	74Hz-20kHz
<b>Power RMS</b>	30 Watts
<b>Power Peak</b>	100 Watts
<b>Impedance</b>	6 ohm
<b>Mounting Depth</b>	3 1/2" (90mm)

\*All product specifications are subject to change.

Refer to docs.originacoustics.com for the latest information.

## 3. What's Included



SPEAKER

BAYONET RING

GRILLE

CUT-OUT TEMPLATE

START GUIDE

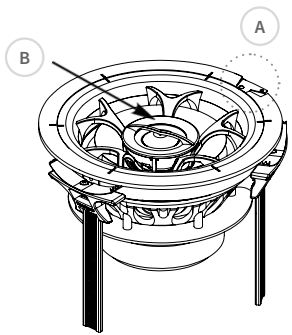
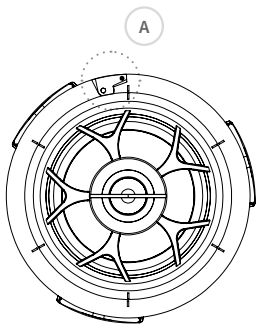
## 4. Product Features | 4a. Speaker Features

**A) METAL RING - LOCK** Locks speaker into place inside Bayonet Ring.  
 (Move outwards from the Bayonet Ring to release speaker. Move inwards to Lock)

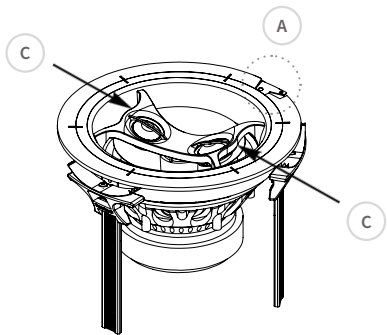
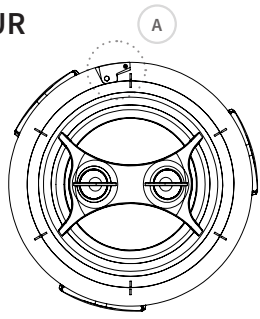
**B) TWEETER**

**C) DUAL TWEETER**

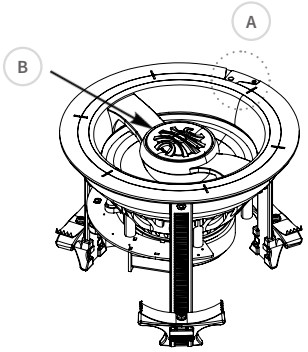
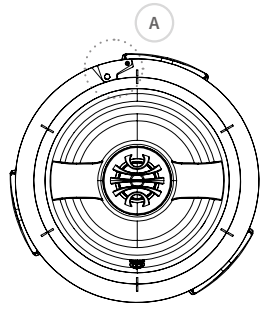
• D57 - 59



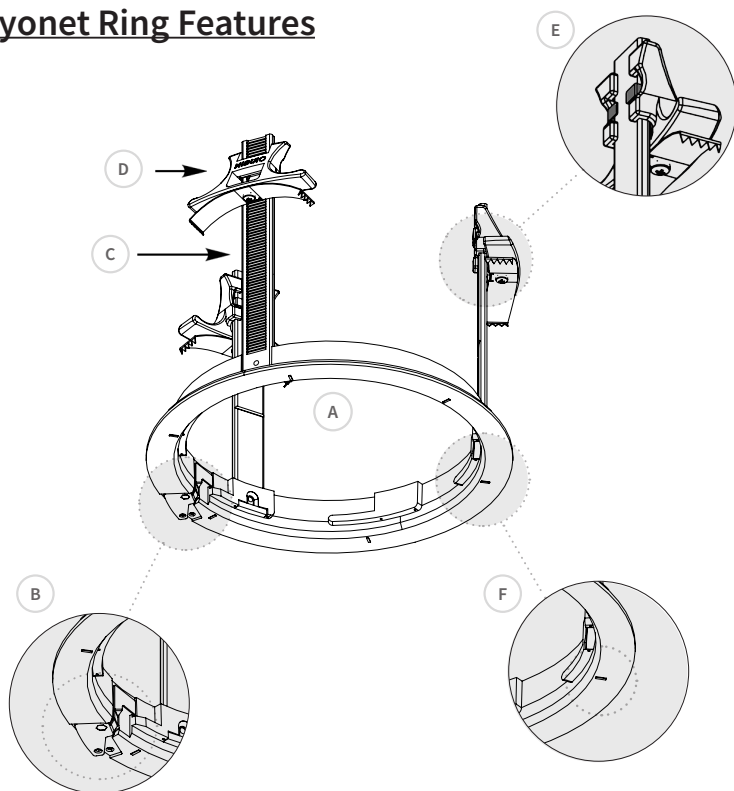
• D57DT/SUR



• D50-8



## 4b. Bayonet Ring Features



**A) BAYONET RING** To be inserted within in-ceiling hole

**B) METAL RING - LOCK** Locks speaker into place inside Bayonet Ring. (Move outwards from the Bayonet Ring to release speaker. Move inwards to Lock.)

**C) BAYONET RAILS** The Zip-Klips™ grips are raised & lowered along these rails.

**D) ZIP - KLIP™ GRIPS** Provide secure grip against drywall. Use 2 finger grooves to pull down and lower. (Zip-Klip™ Mounting System, Patent #9591390)

**E) RELEASE TABS** Press BLACK tabs inwards to release grip and raise Zip-Klip™.

**F) LOCKING GROOVES** Used to ALIGN & LOCK speaker inside Bayonet Ring.

## 5. Required Tools

- Drywall Saw
- Speaker Wire
- Pencil
- Wire Stripper
- Measuring Tape
- Drill
- Drill Bit 1/8" (3mm)
- Stiff Wire
- Stud Finder
- Fish Tape
- Spray Paint
- Compressed Air

## 6. Speaker Wire Recommendation

The gauge of wire used can have an impact on the performance of your speakers. Use a multi-stranded wiring designed for amplifier to speaker connections. Which gauge to select depends on the length of wire to be used on any particular speaker. The longer your run is, the larger your wire size must be.

Wire Length	Wire Gauge
0 -100' (0 - 30m)	16
50 - 150' (15 - 45m)	14
Over 100' (30m)	12

## 7. Speaker Wire Installation Guidance

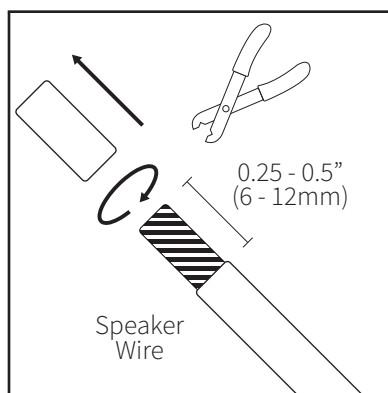
Use a two conductor wire that allows you to identify one conductor from the other. This designation may be obvious or as subtle as a ridge on one conductor.

It's crucial that you keep track of which wire you use for positive (+) and negative (-). Typically if the wires are colored red and black, the red wire is used for positive and the black wire is used for negative, but sometimes other colors or patterns are used. You can choose whichever color of wire you want to be positive and negative as long as you remain consistent throughout the install.

On both your amplifier and your speaker the connectors will be identified as red for positive and black for negative. It is very important to look carefully at the speaker wires and be certain that the same wire that is attached to the positive connector in the amplifier is attached to the positive connector in the speaker.

### 7a. Installing the Speaker Wire

Strip  $\frac{1}{4}$  to  $\frac{1}{2}$  inches (6 to 12 mm) of the insulation off both ends of the wire. To avoid stray strands, twist them at the end. Connect the wire to the amplifier, and make sure the wire connected to the left speaker output will be routed to the left speaker, right output to right speaker, etc.





## **7b. Wire Routing**

Plan how you'll route the wire to the desired speaker location. There are several methods for routing the wire, and you may need to combine several of them.

### **• Behind the Baseboard**

The wire can be routed behind the baseboard by cutting a groove out of the back of the baseboard, or by buying special baseboard designed for concealing wires.

### **• Through Walls**

When running wires through a wall, be sure to avoid all obstacles such as AC wiring, pipes, and ducts.

### **• Attic or Basement**

When available, you can route the wire through an attic or crawlspace.

### **• Under the Carpet**

One option is to lift up the carpet and route "tape wire" under the carpet.

### **• For New Construction**

If these speakers are being installed in a new home during construction, the installation process will be a bit different (although much simpler). For these situations, it's recommended you purchase a bracket. Instructions on how to install the speakers are provided with the bracket, or can be found on our website. Visit [www.originacoustics.com](http://www.originacoustics.com) for more information.

## **7c. Dual Tweeter Installation Guidance**

The Dual Tweeter models may be used for either one channel (surround) or two channels (stereo), depending on the model.

### **• Stereo: (57DT/SUR Model)**

In this mode, two channels are fed into the speaker: one channel for each tweeter. This setup is ideal for small rooms such as walk-in closets and bathrooms, as well as oddly-shaped areas such as hallways. With both left and right channels in one speaker, only one speaker is needed in smaller rooms. In areas like hallways, both channels can be evenly distributed throughout the area with multiple speakers.

### **• Surround (Dipole): Available ONLY on 57DT/SUR**

A switch is located on the back of the speaker to select which mode to use. The input labeled for surround is the input that should be used if you're only using one channel. In this mode, one channel is fed into both tweeters to be distributed throughout the area. This way in a multiple-speaker setup, one speaker can be a dedicated left speaker and another a dedicated right.

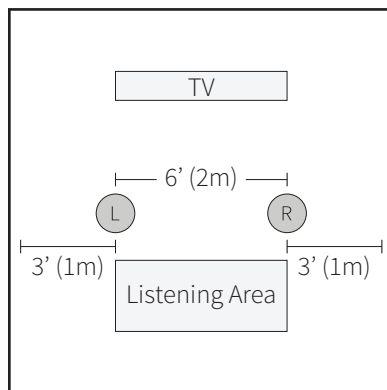
## **WARNING**

If you are using a dual tweeter speaker in stereo mode (i.e. there are two wires connected to the speaker: one for the left channel and one for the right), do not set the switch to surround mode. This could damage the amplifier.

## 8. Speaker Placement Guidance

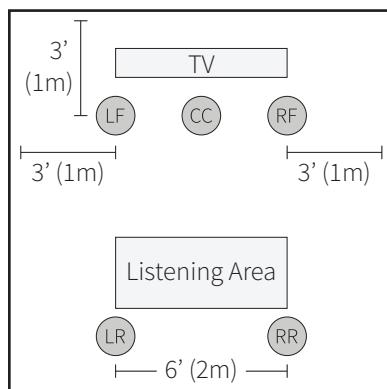
### • Auxiliary Room (2 Speaker Placement)

Ideally, the two speakers should be placed an equal distance from the listener. If the room has a lower ceiling, the speakers can be closer together. Also, if the speaker placement is intended for standing (as opposed to sitting) listeners, the speakers can be closer together.



### • Home Theater (5 Speaker Placement)

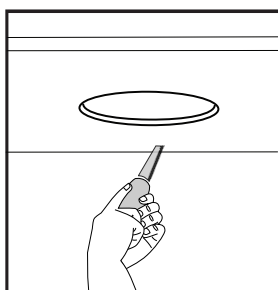
The Left Rear (LR) and Right Rear (RR) speakers should be installed just behind the listener, one on either side. The Center Channel (CC) speaker should be placed above and slightly in front of the television, with the Left Front (LF) and Right Front (RF) speakers placed equidistant to either side.



## 9. Cutting the Hole

When you've decided on the locations for all of the speakers, use the Cut-Out Template to trace a circle lightly in pencil where the hole should be. (If you don't have a template, check the Specifications section for cutout sizes).

If you're unsure on whether there may be obstacles (such as pipes or wires) where you plan on installing the speaker, drill a 1/8 inch hole in the center of the circle, then put a bent coat hanger through the hole to feel around. Use a keyhole or drywall saw to cut the hole.



## 10. Installation Guidance

### **10a. REMOVAL OF SPEAKER FROM BAYONET RING**

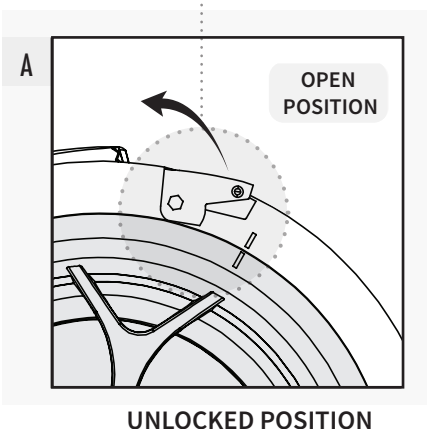
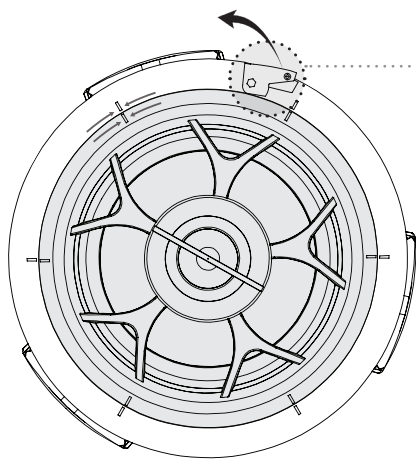
*The Speaker will arrive securely in its Bayonet Ring. To release the speaker, follow these steps:*

#### **1a) UNLOCK RING-LOCK TAB ON BAYONET RING:**

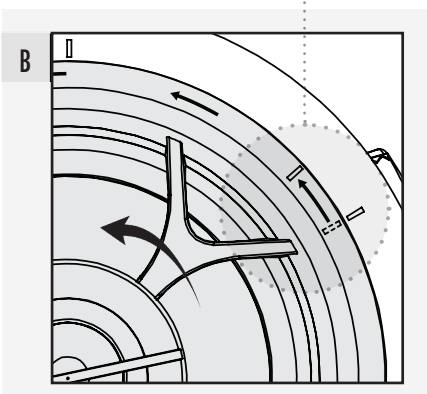
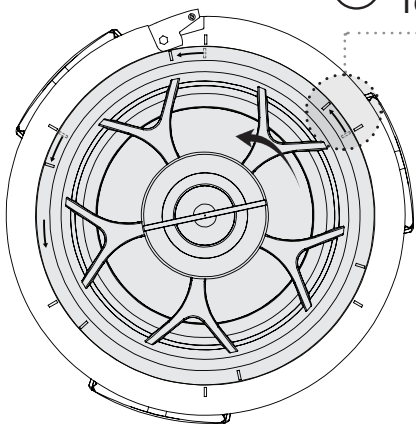
Pull the Metal Ring-Lock Tab **AWAY** from the Bayonet Ring, into the **OPEN & UNLOCKED POSITION**, before attempting to remove the loudspeaker from the Bayonet Ring.

**1b) TWIST SPEAKER 15° COUNTER-CLOCKWISE**, holding the Bayonet Ring in place, until you feel that it unlocks. You will see that the grooves between the speaker and Bayonet Ring are no longer aligned. Here the Speaker can be lifted out from the Bayonet Ring.

**1a) UNLOCK RING-LOCK TAB ON BAYONET RING**

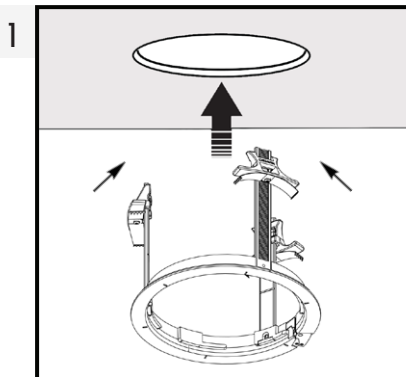


**1b) TWIST SPEAKER 15° COUNTER-CLOCKWISE TO RELEASE FROM RING**

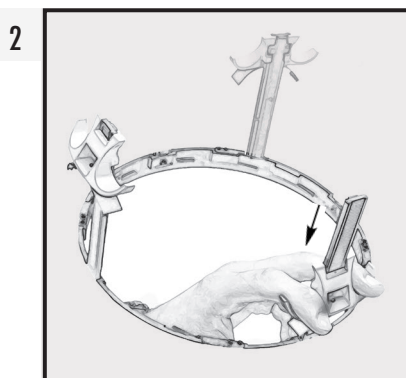


## 10b. INSTALLING BAYONET RING INTO CEILING

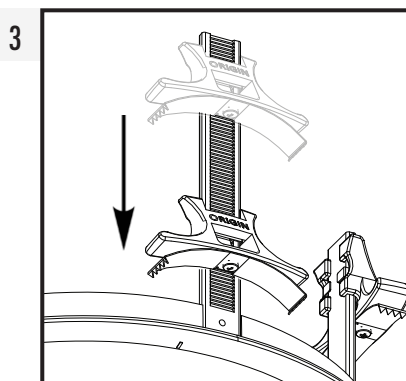
1) Gently bend the Zip-Clip™ rails inwards from the top, just enough, so they fit through the ceiling hole opening, then insert the Bayonet Ring into the Cut-Out hole within the ceiling surface.



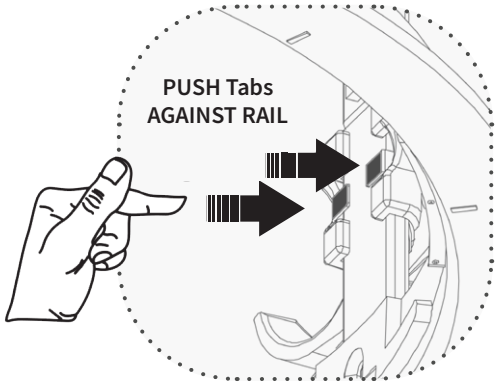
2) Reach inside the Bayonet Ring, placing 2 fingers on the grooves of the Bayonet Zip-Clip™ to pull each Zip-Clip™ down the rail, until it grips the drywall securely. The Bayonet Ring should be firmly in place, but not too tight.



3) Pull down on all 3 Bayonet Zip-Clips™ to lower them along the Bayonet rails.



**10c. RELEASE OF BAYONET RING FROM CEILING**

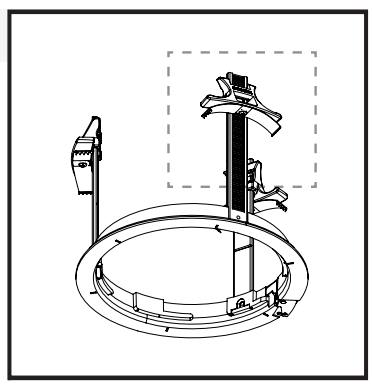


**NOTE:**

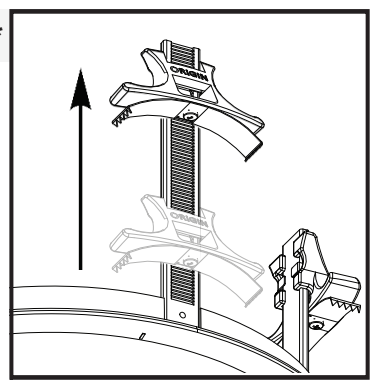
**IF THE BAYONET RING NEEDS TO BE REMOVED, OR THE ZIP-CLIPS™ NEED TO BE ADJUSTED:**

Depress the metal tabs on the inside of each Zip-Clip™, while pushing /sliding the Zip-Clip™ upwards along the rail to reset the clip.

\*

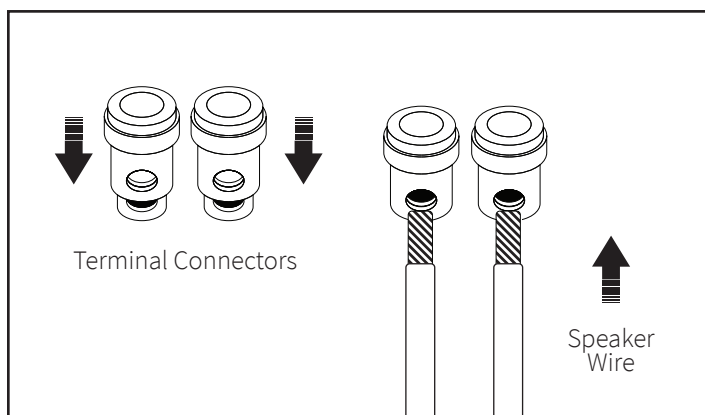


\*\*



**10d. CONNECTING THE SPEAKER WIRE**

Take the ceiling speaker wire and connect it to the Terminal Connector on the Speaker. Push down on each connector, and insert each wire into the opening with the correct polarity. Make sure that the positive wire is attached to the red connection and the negative wire is being attached to the black connection. If the wires are switched, speaker performance will be drastically impacted.

**10e. INSTALLING SPEAKER INTO BAYONET RING**

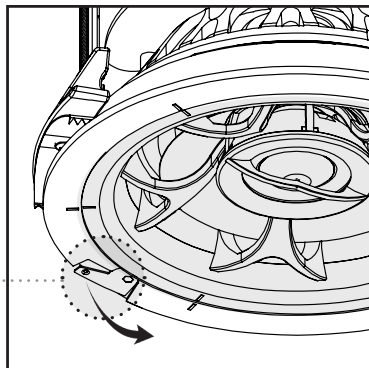
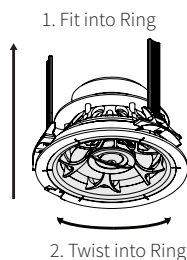
1) After connecting speaker wires:

Insert the Speaker into the Bayonet Ring, with the **METAL LOCK TAB MOVED OUTWARDS FROM THE RING, IN THE OPEN & UNLOCKED POSITION.**

The Speaker Knobs will fit into the Bayonet Ring Shelf Opening.

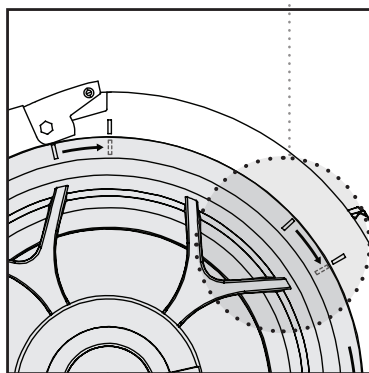
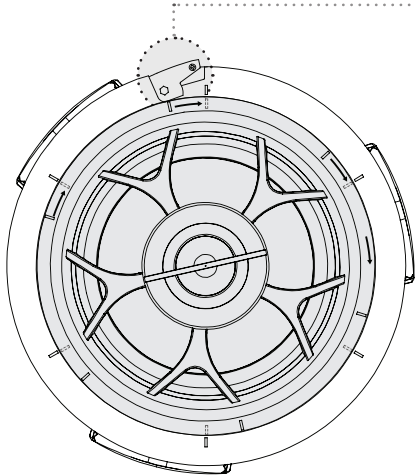


- 1** WITH RING-LOCK TAB MOVED OUTWARDS, INTO OPEN & UNLOCKED POSITION, INSERT SPEAKER INTO BAYONET RING

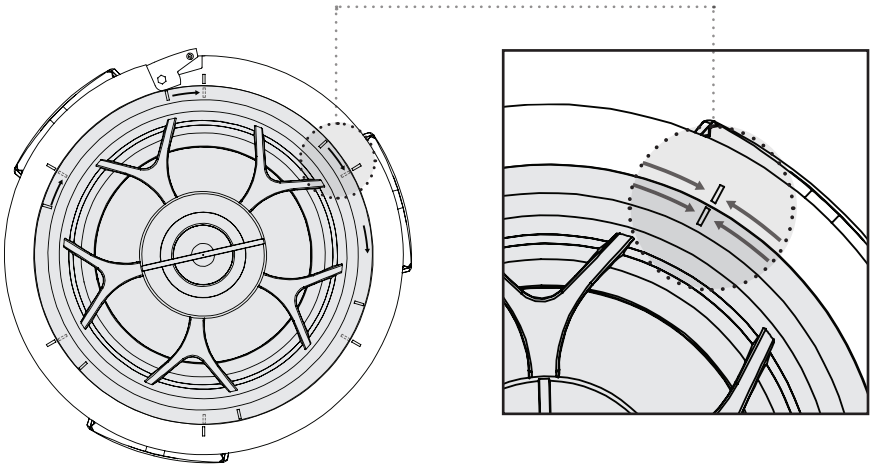


**2a) TWIST THE SPEAKER 15° CLOCKWISE, until YOU FEEL IT LOCK INTO PLACE.**

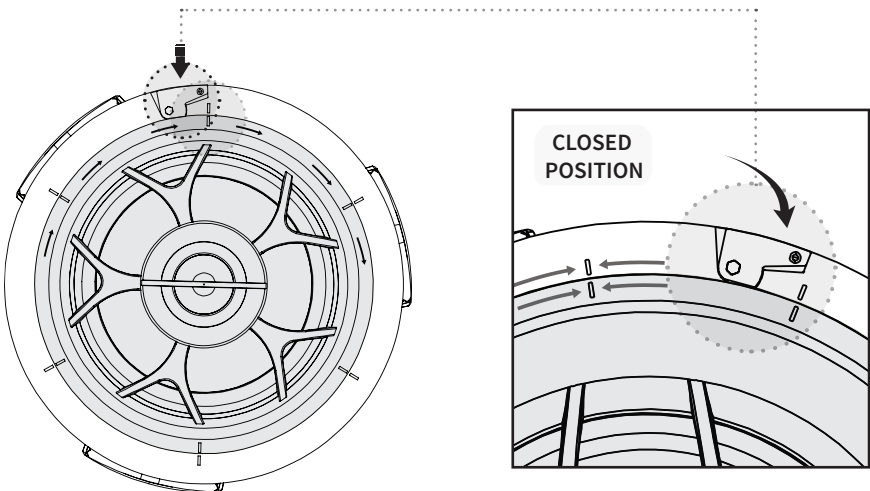
- 2a** TWIST SPEAKER 15° CLOCKWISE



**2b)** When the Speaker is correctly installed into the Bayonet Ring, **THE SPEAKER GROOVE LINES WILL BE ALIGNED TO THE MATCHING GROOVE LINES OF THE BAYONET RING.** Then you will be able to move the Ring-Lock Tab inwards, towards the center of the speaker.

**2b) UNTIL GROOVE LINES ALIGNED**

**3) LOCK THE SPEAKER INTO THE BAYONET RING: PUSH THE METAL RING-LOCK TAB INWARDS,** towards the Bayonet Ring, **INTO THE CLOSED & LOCKED POSITION.** When this Ring-Lock Tab is fully closed, it should lay flush with the perimeter of the Bayonet Ring.

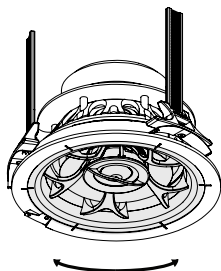
**3) MOVE RING-LOCK TAB INWARDS, INTO CLOSED & LOCKED POSITION, TO SECURE SPEAKER INSIDE**

**NOTE: GRILLE MAY NOT SIT FLUSH UNTIL THIS LOCK IS PROPERLY ENGAGED.**

## 11. Final Sound Adjustments

### 11a. Mid Range & Tweeter Positions

Depending on the speaker model, the midrange and tweeter can be pivoted to direct the sound towards the listening area. Or for a more diffused surround sound experience, the rear speakers can be aimed towards the wall. To aim the tweeter, gently apply pressure to the rim with your thumbs to pivot the tweeter. To aim the midrange, gently apply pressure to the rim and pivot it in the desired direction.



D57 - D59  
360° Aimable Tweeter

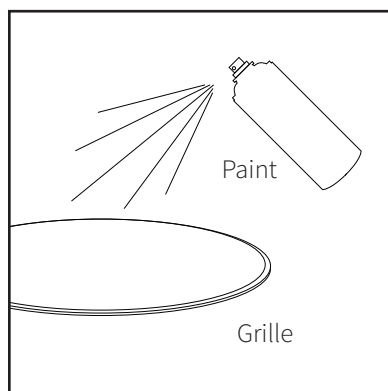
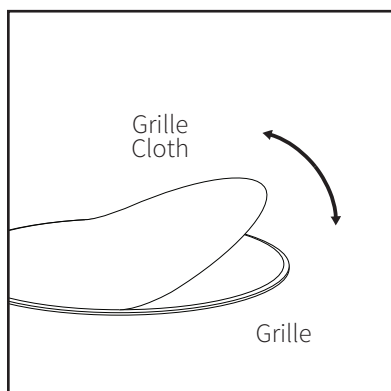
## 12. Adding the Grille

### 12a. Installing the Grille

The magnetic grille easily fits over the speaker. Square replacement grilles are also available for purchase separately.

### 12b. Painting the Grille

In some situations the speakers may look better if the color matched the walls, ceiling, or trim in the room. This can be accomplished by painting the grille. The grille must be painted with spray paint, and most hardware stores will mix a can of paint to match whatever color you need. Before painting, carefully remove the thin cloth on the underside of the grille. Lightly spray the front of the grille with the paint from a distance, being careful not to plug any of the holes. Diluting the paint with paint thinner will lessen the risk of filling any holes. If a hole gets plugged use a can of compressed air to open it. Once the paint is dry, put the cloth back on the grille.



## 13. Troubleshooting

If you have a problem, try isolating it first. For example, if you're playing a DVD and there is no sound, try replacing the DVD with an MP3 player to see if you get sound. If it does work, then the problem is with the television, DVD player, or the cables connecting them. If it doesn't work, the problem will be with the amplifier, speakers, or those cables.

Problem	Possible Cause
No Sound	The volume may be turned down or muted. Check the volume settings on both the amplifier and the television/computer/CD player/etc.
No Sound	Make sure the proper source is selected on the amplifier or receiver.
No Sound	Check the cord connecting the amplifier with the source. The cord may be damaged or plugged into the wrong input or output.
No Sound	Check the wires connecting the amplifier with the speakers. Make sure they're connected properly and not damaged in any way.
Poor Sound Quality	If you hear something like static, or the sound is cutting in and out, check the audio cables. If the problem increases when a cable is being moved, then the cable is most likely faulty or not connected properly.
Poor Sound Quality	Today's audio systems may have several places to adjust the volume, for example your MP3 player may have a volume control, and your amplifier may also have one. Check to be certain that the volume isn't turned up past 80% on any device.
Poor Sound Quality	Try changing sources to be certain that the selection you've chosen is a good quality recording.

## **14. Technical Assistance**

If you have any questions or concerns about installing or using this product, you can reach us through one of the following methods:

**Phone:** (844) 674-4461

**Hours of operation:** 8:00am - 5:00pm (Pacific Time), Mon - Fri

**Email:** [sales@originacoustics.com](mailto:sales@originacoustics.com)

If you are having technical trouble, please include the model number and briefly explain what steps you took to resolve the problem in your email, or be prepared to answer these questions over the phone. If you are considering returning the product, it's required that you contact Origin Acoustics prior to any return attempts. This way we can determine if the issue can be resolved without returning the product, or if needed we can provide instructions and support for the return process.

## **15. Limited Lifetime Warranty**

Origin Acoustics warrants to the original retail purchaser only that this Origin Acoustics product will be free from defects in materials and workmanship, provided the speaker was purchased from an Origin Acoustics authorized dealer.

If the product is determined to be defective, it will be repaired or replaced at Origin Acoustics' discretion. If the product must be replaced yet it is no longer manufactured, it will be replaced with a model of equal to or greater value that is the most similar to the original. If this is the case, installing the replacement model may require mounting modifications; Origin Acoustics will not be responsible for any such related costs.

### **• Requirements & Warranty Coverage**

This warranty may not be valid if the product was purchased through an unauthorized dealer. This warranty only applies to the individual that made the original purchase, and it cannot be applied to other purchases. The purchaser must be prepared to provide proof of purchase (receipt). This warranty will not be valid if the identifying number or serial number has been removed, defaced, or altered.

**\*All warranties and warranty conditions are subject to change. Please refer to [docs.originacoustics.com](https://docs.originacoustics.com) for the latest information.**

## • **Not Covered by Warranty**

- Accidental damage
- Damage caused by abuse or misuse
- Damage caused by attempted repairs/modifications by anyone other than Origin Acoustics or an authorized dealer
- Damage caused by improper installation
- Normal wear, maintenance, and environmental issues
- Damage caused by voltage inputs in excess of the rated maximum of the unit
- Damage inflicted during the return shipment

## **16. Return Process**

Before making any return attempts, it is required that you first contact Origin Acoustics. Return product to Origin Acoustics or your dealer, either in person or by mail. It's preferable if the product is returned in the original packaging. If this isn't possible, the customer is responsible for insuring the shipment for the full value of the product.

This warranty is in lieu of all other expressed or implied warranties. Some states do not allow limitations on implied warranties, so this may not apply depending on the customer's location. (For more information, see Magnuson-Moss Warranty Act.)



# NOTES



12-01-23 • 6975 S Decatur Blvd, Las Vegas, NV 89118 • [www.originacoustics.com](http://www.originacoustics.com) • 844-674-4461

©2023 Origin Acoustics. All copyrighted, trademarked and patented elements mentioned herein are the sole property of Origin Acoustics.