



CSUB10R Composer Collection

Bass is a necessity for any home theater or dedicated listening area. Back in the 1980s, our team dreamed up a clutter-free solution for delivering the big and powerful experience of box subwoofers. Building an in-wall subwoofer poses many challenges to engineers seeking to circumvent physics in a category that is predominately concerned with larger size and more power. Our team has spent more time than any other refining the art and science of the in-wall subwoofer.



CSUB10R

Low Down Aluminum

We use high-grade aluminum everywhere we can due to its highly efficient thermal conductivity properties, sturdiness from vibration, ease of installation, and space maximizing density. Aluminum has proven to be twelve times stiffer than traditional fiber board (MDF) producing a crisp rattle free experience.

Anti-Vibration Control

In order to rid the in-wall subwoofer of disruptive vibrations, the cabinets are lined with shock-absorbent foam that makes the Composer In-Wall subs capable of taking in up to 500-Watts of power unfazed. The resulting bass is louder with preserved fidelity and smooth clarity.

Taking the Heat

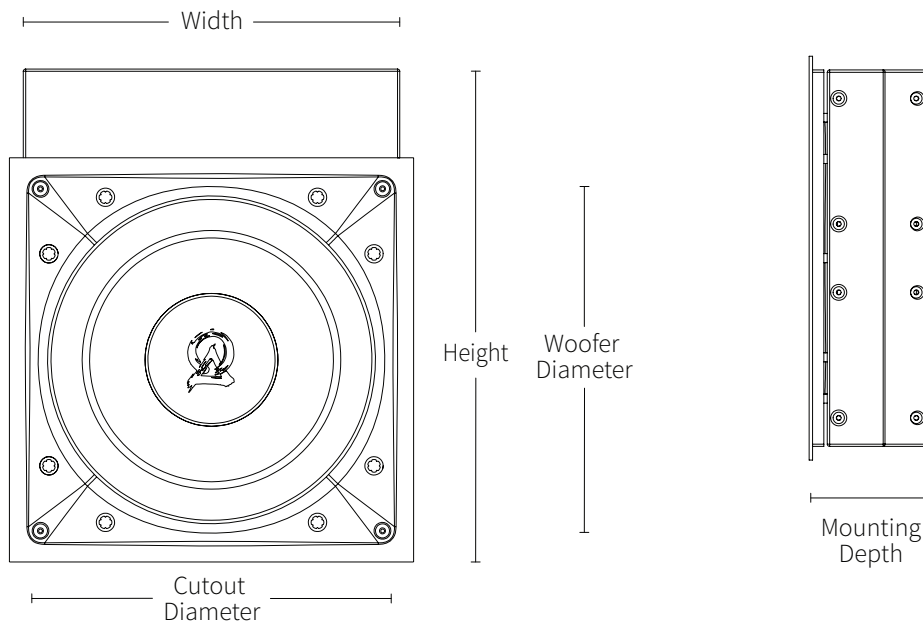
Origin In-Wall Subwoofers are marked with an aluminum faceplate that acts as a heat-sink with superb thermal conductivity, dissipating obstructively hot temperatures and allowing for the woofer cone to complete its excursion with maximum linearity.

Higher Perforation & Lower Visibility

Our fully paintable grilles carry a distinctively high perforation pattern that is remarkably smaller than traditional in-wall speaker grilles, enabling them to blend into virtually any environment.

Specifications

Model	CSUB10R
Part Number	CSUB1000R
Woofer Cone	Aluminum
Woofer Diameter	10" (250mm)
Frequency Response	30Hz - 250Hz ± 3dB
Power Handling	50 - 250 Watts
Dimensions	3.5 x 13 x 17" (88 x 330 x 430mm)
Grille Dimensions	14.15 x 14.15" (359 x 359mm)
Cutout Dimensions	12.83 x 12.83" (325 x 325mm)
Mounting Depth	3.5" (89mm)



CSUB10R

*Not to Scale