



OS60 & 50's

Seasons Outdoor Collection



Installation Manual

OS67, OS65DT, OS65, OS57, OS55DT, OS55

Table of Contents

Introduction	1
Specifications	2
What's Included	4
Tools & Items	4
Wire Recommendation	4
About Speaker Wire	5
Installing the Wire	6
Wire Routing	6
Tracing the Template & Drilling the Hole	7
Installing the Speaker	8
Connecting the Wire	8
Testing & Adjustments	9
Troubleshooting	10
Technical Assistance	11
Warranty	12
Return Process	13

Introduction

Thank you for purchasing the Seasons Outdoor OS 60 & 50 Speaker. At Origin Acoustics, we take pride in providing you with a high quality product. All of Origin Acoustics' speakers are designed to have excellent sound quality, longevity, and a simple installation process.

This instruction booklet covers the necessary information for a smooth installation, including: the tools you will need, step-by-step instructions for installation, troubleshooting tips for any errors that may occur, and all warranty information. If for any reason you experience problems or if you have installation questions please call us at (844) 674-4461. Hours of operation are 8:00am to 5:00pm (Pacific Time), Monday through Friday.

Specifications

MODEL	OS67	OS65DT
PART	OCS6700B, OCS6700W	OCS6500DTB, OCS6500DTW
Woofers	4 x 8" Glass Fiber, 2 Passive Radiator	4 x 8" IMG, 2 Passive Radiator
Tweeter	1" Aluminum	1" Dual Aluminum
Frequency Response	52Hz-20kHz	58Hz-20kHz
Power RMS	50 Watts	50 Watts
Power Peak	150 Watts	150 Watts
Impedance	6 ohm	6 ohm
Enclosure	HDPE	HDPE
Grille	Aluminum	Aluminum
Dimensions	3 3/16 x 6 1/16 x 13 1/8" (182 x 172 x 334mm)	3 3/16 x 6 1/16 x 13 1/8" (182 x 172 x 334mm)

MODEL	OS65
PART	OCS6500B, OCS6500W
Woofers	4 x 8" IMG, 2 Passive Radiator
Tweeter	1" Aluminum
Frequency Response	58Hz-20kHz
Power RMS	50 Watts
Power Peak	150 Watts
Impedance	6 ohm
Enclosure	HDPE
Grille	Aluminum
Dimensions	3 3/16 x 6 1/16 x 13 1/8" (182 x 172 x 334mm)

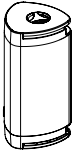
*All product specifications are subject to change. Please refer to the dealer portal for the latest information.

MODEL	OS57	OS55DT
PART	OCS5700B, OCS5700W	OCS5500DTB, OCS5500DTW
Woofers	5 1/4" Glass Fiber	5 1/4" IMG
Tweeter	3/4" Aluminum	Dual 3/4" Aluminum
Frequency Response	52Hz-20kHz	63Hz-20kHz
Power RMS	50 Watts	50 Watts
Power Peak	125 Watts	125 Watts
Impedance	6 ohm	6 ohm
Dimensions	3 3/16 x 6 1/16 x 13 1/8" (182 x 172 x 334mm)	3 3/16 x 6 1/16 x 10 13/32" (182 x 172 x 266mm)
Enclosure	HDPE	HDPE
Grille	Aluminum	Aluminum

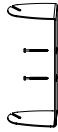
MODEL	OS55
PART	OCS5500B, OCS5500W
Woofers	5 1/4" IMG
Tweeter	3/4" Aluminum
Frequency Response	63Hz-20kHz
Power RMS	50 Watts
Power Peak	125 Watts
Impedance	6 ohm
Dimensions	3 3/16 x 6 1/16 x 10 13/32" (182 x 172 x 266mm)
Enclosure	HDPE
Grille	Aluminum

*All product specifications are subject to change. Please refer to the dealer portal for the latest information.

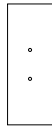
What's Included



Speaker



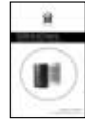
Bracket & Screws



Template



Input Connector



Installation Manual

Tools & Items

- Drywall Saw
- Speaker Wire
- Pencil
- Wire Stripper
- Measuring Tape
- Drill
- Drill Bit 1/8" (3mm)
- Stiff Wire
- Stud Finder
- Fish Tape
- Spray Paint
- Compressed Air

Wire Recommendation

The gauge of wire used can have an impact on the performance of your speakers. Use a multi-stranded wiring designed for amplifier to speaker connections. Which gauge to select depends on the length of wire to be used on any particular speaker. The longer your run is, the larger your wire size must be.

Wire Length	Wire Gauge
0 -100' (0 - 30m)	16
50 - 150' (15 - 45m)	14
Over 100' (30m)	12

About Speaker Wire

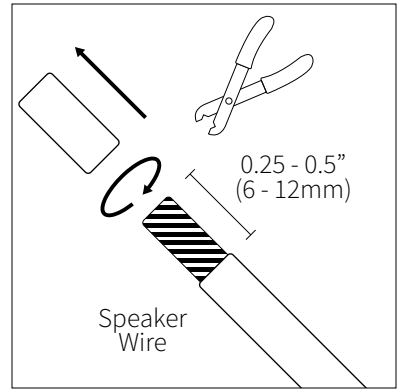
You will need a wire that has at least two conductors; one that can be identified as the positive and the other as the negative. All two conductor wires have some means of identifying which conductor is which, but at times this identification may be subtle. It's crucial that you keep track of which wire you use for positive (+) and negative (-). Typically if the wires are colored red and black, the red wire is used for positive and the black wire is used for negative, but sometimes other colors or patterns are used. You can choose whichever color of wire you want to be positive and negative as long as you remain consistent throughout the install.

On both your amplifier and your speaker the connectors will be identified as red for positive and black for negative. It is very important to look carefully at the speaker wires and be certain that the same wire that is attached to the positive connector in the amplifier is attached to the positive connector in the speaker.

1. Installing the Wire

When choosing the point where the wire exits the house, remember that it's best if less wire is exposed to the outside elements. Try to find a point in the wall as close to the speaker as possible when drilling a hole for the wire. Once you run the wire through that point, be sure to properly seal the

hole. If you're routing the wire underground, use a direct burial wire. To prevent future damage, it's recommended to also use a PVC conduit.



Wire Routing

Plan how you'll route the wire to the desired speaker location. There are several methods for routing the wire, and you may need to combine several of them.

Behind the Baseboard

The wire can be routed behind the baseboard by cutting a groove out of the back of the baseboard, or by buying special baseboard designed for concealing wires.

Through Walls

When running wires through a wall, be sure to avoid all obstacles such as AC wiring, pipes, and ducts.

Attic or Basement

When available, you can route the wire through an attic or crawlspace.

Under the Carpet

One option is to lift up the carpet and route “tape wire” under the carpet.

For New Construction

If these speakers are being installed in a new home during construction, the installation process will be a bit different (although much simpler). For these situations, it’s recommended you purchase a bracket. Instructions on how to install the speakers are provided with the bracket, or can be found on our website. Visit www.originacoustics.com for more information.

2. Tracing the Template & Drilling the Holes

Using the template, mark the location for the screws on the wall. (The speaker can be mounted vertically or horizontally.)

Depending on the type of surface you’re installing the speaker on, you may need to use anchors of some kind. If you’re installing the speaker on a hollow wall, it’s recommended you use hollow-wall anchors. Likewise, if you’re installing the speaker on brick, stone, or concrete, it’s best to use masonry anchors.

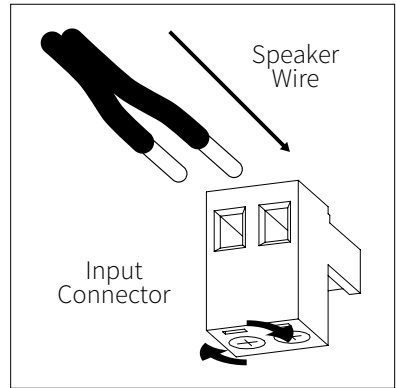
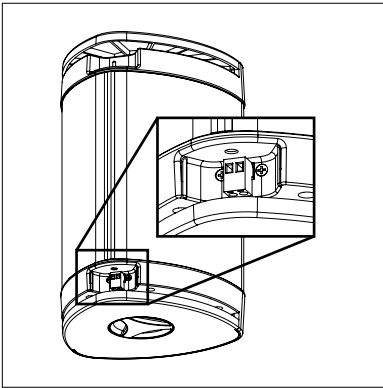
Drill the holes for the screws. If you’re installing the speaker on brick, stone, or concrete, use a hammer drill. Install the screws leaving a 1/10” (2.5mm) space between wall and screwhead for hanging the bracket.

3. Installing the Speaker

When you're finished, hang the speaker on the wall. The speaker is designed to have the tweeter at the top if it's mounted vertically, or to the outside if mounted horizontally. If the speaker is installed horizontally, the logo can be rotated to be right-side-up.

4. Connecting the Wire

Strip $\frac{1}{4}$ " (6 mm) of the insulation off both ends of the wire. To avoid stray strands, twist them at the end. On the speaker, remove the rubber cover from the input terminal. Pull the wire through the cover, so it can be reattached to the speaker after the wire has been connected.

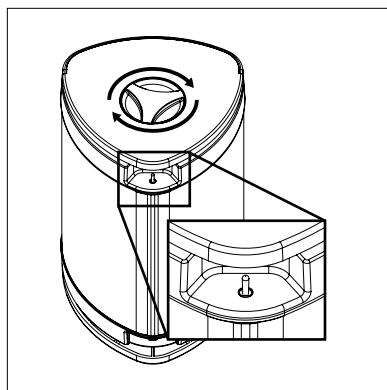


Insert the wires into the connector, making sure that the positive wire is being attached to the (+) connection and the negative wire is being attached to the (-) connection. (If the negative and positive wires are switched, speaker performance

will be drastically impacted.) Insert the connector into the matching receptacle on the speaker. If it's difficult to insert the connector because the mounting bracket is in the way, the bracket can be rotated to the side. Simply turn the knobs on the top and bottom counter clockwise to loosen the bracket so it can be moved to the side. Slide the cover up the wire and reattach it to the speaker. Connect the wire to the amplifier, and make sure the wire connected to the left speaker output will be routed to the left speaker, right output to right speaker, etc.

5. Testing & Adjustments

Our season speakers are designed to compensate the bass for the effects of outdoor bass (0dB). The OS56 and OS66 models have a switch to adjust the bass for indoor use (-3dB). To aim the speaker, turn the knobs at the top and bottom counter clockwise to loosen the mounting bracket. Turn the speaker so it's facing the way you would like it to face and tighten the knobs.



Troubleshooting

If possible, it's often good to try to isolate the problem first. For example, if you're playing a DVD on a television and there's no sound, try connecting an MP3 player to the system to see if that works. If it does work, then the problem is with the television, DVD player, or the cables connecting them. If it doesn't work, the problem will be with the amplifier, speakers, or those cables.

Problem	Possible Cause
No Sound	The volume may be turned down or muted. Check the volume settings on both the amplifier and the television/computer/CD player/etc.
No Sound	Make sure the proper source is selected on the amplifier or receiver.
No Sound	Check the cord connecting the amplifier with the source. The cord may be damaged or plugged into the wrong input or output.
No Sound	Check the wires connecting the amplifier with the speakers. Make sure they're connected properly and not damaged in any way.
Poor Sound Quality	If you hear something like static, or the sound is cutting in and out, check the audio cables. If the problem increases when a cable is being moved, then the cable is most likely faulty or not connected properly.
Poor Sound Quality	Today's audio systems may have several places to adjust the volume, for example your MP3 player may have a volume control, and your amplifier may also have one. Check to be certain that the volume isn't turned up past 80% on any device.
Poor Sound Quality	Try changing sources to be certain that the selection you've chosen is a good quality recording.

Technical Assistance

If you have any questions or concerns about installing or using this product, you can reach us through one of the following methods:

Phone: (844) 674-4461

Hours of operation: 8:00am - 5:00pm (Pacific Time), Mon - Fri

Email: techsupport@originacoustics.com

If you are having technical trouble, please include the model number and briefly explain what steps you took to resolve the problem in your email, or be prepared to answer these questions over the phone. If you are considering returning the product, it's required that you contact Origin Acoustics prior to any return attempts. This way we can determine if the issue can be resolved without returning the product, or if needed we can provide instructions and support for the return process.

Limited Lifetime Warranty

Origin Acoustics warrants to the original retail purchaser only that this Origin Acoustics product will be free from defects in materials and workmanship, provided the speaker was purchased from an Origin Acoustics authorized dealer.

If the product is determined to be defective, it will be repaired or replaced at Origin Acoustics' discretion. If the product must be replaced yet it is no longer manufactured, it will be replaced with a model of equal to or greater value that is the most similar to the original. If this is the case, installing the replacement model may require mounting modifications; Origin Acoustics will not be responsible for any such related costs.

Requirements & Warranty Coverage

This warranty may not be valid if the product was purchased through an unauthorized dealer. This warranty only applies to the individual that made the original purchase, and it cannot be applied to other purchases. The purchaser must be prepared to provide proof of purchase (receipt). This warranty will not be valid if the identifying number or serial number has been removed, defaced, or altered.

***All warranties and warranty conditions are subject to change. Please refer to www.originacoustics.com for the latest information.**

Not Covered by Warranty

- Accidental damage
- Damage caused by abuse or misuse
- Damage caused by attempted repairs/modifications by anyone other than Origin Acoustics or an authorized dealer
- Damage caused by improper installation
- Normal wear, maintenance, and environmental issues
- Damage caused by voltage inputs in excess of the rated maximum of the unit
- Damage inflicted during the return shipment

Return Process

Before making any return attempts, it is required that you first contact Origin Acoustics. Return product to Origin Acoustics or your dealer, either in person or by mail. It's preferable if the product is returned in the original packaging. If this isn't possible, the customer is responsible for insuring the shipment for the full value of the product.

This warranty is in lieu of all other expressed or implied warranties. Some states do not allow limitations on implied warranties, so this may not apply depending on the customer's location. (For more information, see Magnuson-Moss Warranty Act.)

NOTES

NOTES



6975 S Decatur BLVD, Las Vegas, NV 89118 • www.originacoustics.com • 844-674-4461

©2019 Origin Acoustics. All copyrighted, trademarked and patented elements mentioned herein are the sole property of Origin Acoustics.