



# PENDANT SPEAKERS

## PRICE & PERFORMANCE

By far the boldest loudspeaker available at its price point, our Professional Collection Pendants provide superior bass and dispersion in an ultra-modern enclosure. The secret is our rear-facing tuned bass radiator that virtually doubles the cabinet size when it comes to low-end reproduction. We have the same premium transformers and Silk DPSD™ tweeters as the rest of our Professional collection, ensuring a smooth, consistent sonic signature for all of your installs, regardless of style or placement. They come standard in black and white with three woofer/tweeter compliments and one subwoofer.

## PRODUCT ID



PPSUB88  
PPSUB8W



PP80B  
PP80W



PP60B  
PP60W



PP50B  
PP50W



PPSUB88  
PPSUB8W



PP80B  
PP80W



PP60B  
PP60W



PP50B  
PP50W



# PENDANT SPEAKERS

## SPECIFICATIONS

### PPSUB8B | PPSUB8W

### PP80B | PP80W

### PP60B | PP60W

Part	SPPSUB80B, SPPSUB80W	SPP80000B, SPP80000W	SPP60000B, SPP60000W
Woofer	8" Polypropylene	8" Polypropylene	6½" Polypropylene
Tweeter	-	1" Silk DSPD™ MMP™	1" Silk DSPD™ MMP™
Power Handling (Program Power)	200 Watts	200 Watts	130 Watts
Power Handling (Cont. Pink Noise)	125 Watts	100 Watts	65 Watts
Frequency Response	(- 10dB): 40Hz-250Hz (- 3dB): 55Hz-250Hz	(- 10dB): 42Hz-20kHz (- 3dB): 57Hz-20kHz	(- 10dB): 50Hz-20kHz (- 3dB): 62Hz-20kHz
Nominal Coverage Angle	180 Degree Conical Coverage	110 Degree Conical Coverage	120 Degree Conical Coverage
Sensitivity @1m	90dB	90dB	88dB
Rated Maximum SPL	110dB	110dB	108dB
Impedance	8 ohm Nominal	8 ohm Nominal	8 ohm Nominal
Transformer Taps	70V -120W, 60W, 30W, 15W 100V - 120W, 60W, 30W	70V - 60W, 30W, 15W, 7.5W 100V - 60W, 30W, 15W	70V - 60W, 30W, 15W, 7.5W 100V - 60W, 30W, 15W
Diameter	10" (254mm)	10" (254mm)	8 ¼" (210mm)
Length	16 ¼" (412mm)	16 ¼" (412mm)	12 ⅝" (313mm)
Feature	8" Passive Radiator	8" Passive Radiator	6 ½" Passive Radiator
Colors	Black, White	Black, White	Black, White

## SPECIFICATIONS

### PP50B | PP50W

Part	SPP50000B, SPP50000W
Woofer	5 ¼" Polypropylene
Tweeter	¾" Silk DSPD™ MMP™
Power Handling (Program Power)	100 Watts
Power Handling (Cont. Pink Noise)	50 Watts
Frequency Response	(- 10dB): 57Hz-20kHz (- 3dB): 75Hz-20kHz
Nominal Coverage Angle	120 Degree Conical Coverage
Sensitivity @1m	87dB
Rated Maximum SPL	105dB
Impedance	8 ohm Nominal
Transformer Taps	70V - 30W, 15W, 7.5W, 3.75W 100V - 30W, 15W, 7.5W
Diameter	6 1¼" (170mm)
Length	10 ½" (267mm)
Feature	5" Passive Radiator
Colors	Black, White

## SAFETY AGENCY COMPLIANCE

Origin Acoustics Professional Collection Pendant speaker models PP50B | PP50W , PP60B | PP60W, PP80B | PP80W, & PPSUB8B | PPSUB8W meet the following standards:

**UL 1480A:** Standard for Speakers for Commercial and Professional Use  
**CSA-C22.2 No.205:** Signaling Equipment for General Signaling and Fire Alarm Signaling, Canada

• All speakers shall be installed in accordance with:

**NFPA 70:** Standard for Electrical Safety in the Workplace®  
**CSA C22.1:** Canadian Electrical Code

Gripple® Suspension Kit included meets the following standard:

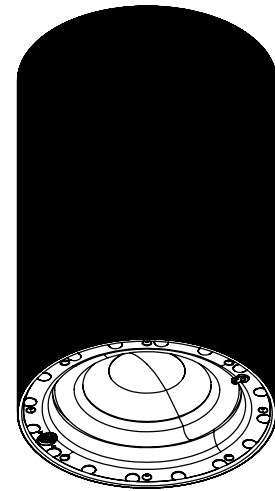
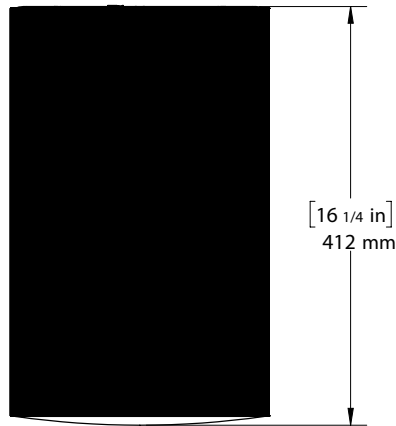
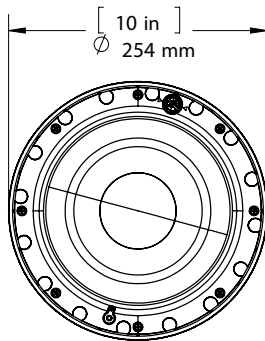
**UL 2239:** Standard for Safety Hardware for the Support of Conduit, Tubing, and Cable

See page 5 for further information.

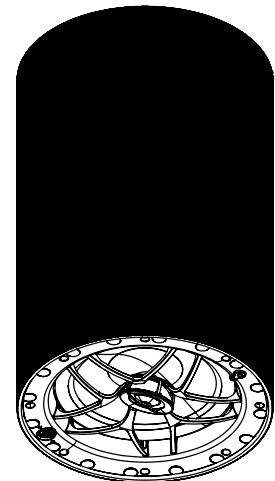
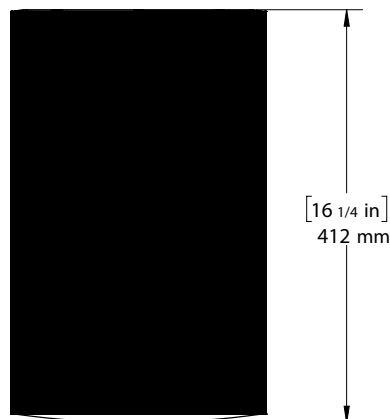
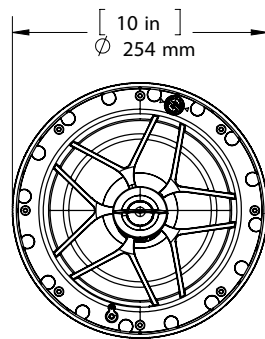


# PENDANT SPEAKERS

## LINE DRAWINGS



PPSUB8B | PPSUB8W



PP80B | PP80W

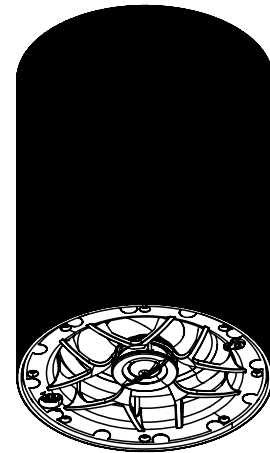
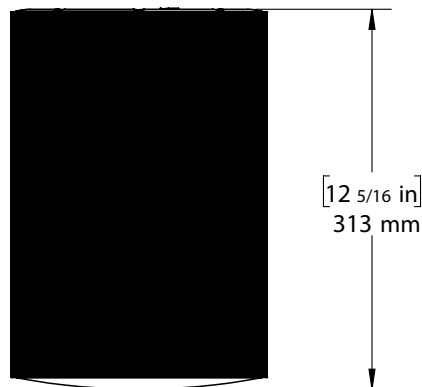
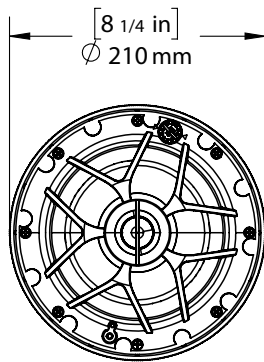


Please see [www.originpro.com](http://www.originpro.com) for most the most updated information concerning these specifications. Products may only be purchased through an authorized integration partner.

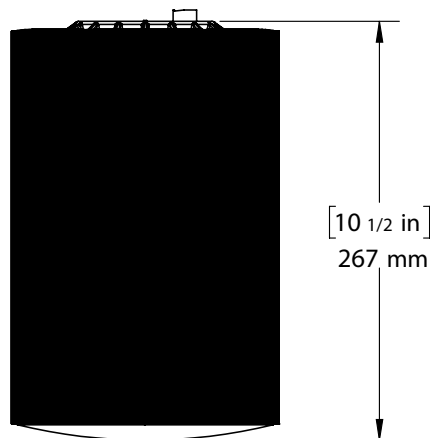
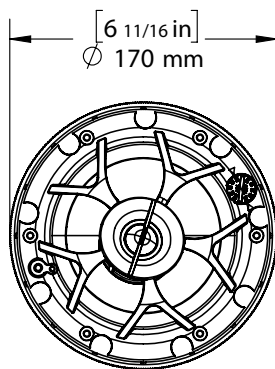


# PENDANT SPEAKERS

## LINE DRAWINGS



PP60B | PP60W



PP50B | PP50W



Please see [www.originpro.com](http://www.originpro.com) for most the most updated information concerning these specifications. Products may only be purchased through an authorized integration partner.



# PENDANT LOUDSPEAKERS

## SAFETY AGENCY COMPLIANCE

---

Origin PRO Professional Collection Pendant Speaker models PP50B | PP50W , PP60B | PP60W, PP80B | PP80W, & PPSUB8B | PPSUB8W meet the following standards:

### **UL 1480A: Standard for Speakers for Commercial and Professional Use**

#### *Scope:*

1.1 These requirements cover speakers for indoor and/or outdoor use in dry, damp, wet, or underwater locations and are intended for one or more of the following:

- a) Commercial and professional audio systems providing non-emergency sound reinforcement and reproduction in accordance with the National Electrical Code, NFPA 70 (this includes equipment for institutional, industrial use);
- b) Non-fire emergency voice-warning systems in accordance with NFPA 70; examples of non-fire emergency-warning systems include, but are not limited to:
  - 1) Critical process monitoring (nuclear plant, oil refinery, hazardous chemical processing);
  - 2) Distress alert systems (help for handicapped, for life safety, for rape, for robbery);
  - 3) Crowd control in public places (sporting arena, theater, shopping mall, transportation center); and
  - 4) Non-fire emergency voice-systems covered by the Life Safety Code, NFPA 101.
- c) Underwater speakers in accordance with Article 680 of NFPA 70. An underwater speaker is not to be used in a fire alarm system or as an emergency (non-fire) voice-warning system.

1.2 These requirements do not cover the following:

- a) Speakers intended for use in hazardous locations as defined in the National Electrical Code, NFPA 70; this includes speakers tested with the requirements in the Standard for Explosion-Proof and Dust-Ignition-Proof Electrical Equipment For Use In Hazardous (Classified) Locations, UL 1203;
- b) Speakers intended for personal or private consumer use; this includes speakers for household/domestic use covered by the requirements in the Standard for Audio-Video Products and Accessories, UL 1492 and the Standard for Audio/Video and Musical Instrument Apparatus for Household, Commercial, and Similar General Use, UL 6500;
- c) Speakers which are intended for commercial or professional audio applications and which employ integral active electronics; these products are covered in the Standard for Commercial Audio Equipment, UL 813; the Standard for Professional Video and Audio Equipment, UL 1419; and the commercial audio amplifier applications covered in UL 6500; and
- d) Speakers intended for security applications; these products are covered in the Standard for Local Burglar Alarm Units and Systems, UL 609; and the Standard for Household Burglar-Alarm System Units, UL 1023.

1.3 Speakers intended for use with fire alarm systems are covered by Standard for Speakers for Fire Alarm and Signaling Systems, Including Accessories, UL 1480. Speakers with integral amplifiers must comply with the requirements in UL 1480 and the Standard for Amplifiers for Fire Protective Signaling Systems, UL 1711.

1.4 Speakers intended for use with emergency and non-emergency systems and having integral amplifiers must comply with this standard in addition to the requirements in the Standard for General-Purpose Signaling Devices and Systems, UL 2017.

1.5 Speakers intended for use in air-handling spaces in accordance with Installation of Air Conditioning and Ventilating Systems, NFPA 90A, shall comply with the requirements in this standard and the requirements in the Standard for Fire Test for Heat and Visible Smoke Release for Discrete Products and Their Accessories Installed in Air-Handling Spaces, UL 2043.

# PENDANT LOUDSPEAKERS

## SAFETY AGENCY COMPLIANCE

---

### CSA-C22.2 No.205: Signaling Equipment for General Signaling and Fire Alarm Signaling, Canada

#### Scope:

This Standard covers the electrical, fire, and shock hazard requirements for all permanently and cord-connected signal equipment intended for household, commercial and industrial use operating at

- a) nominal system voltage of 120 V for household use;
- b) nominal system voltages up to 600 V for commercial and industrial use; and
- c) double insulated equipment up to 240 V.

in non-hazardous locations in accordance with the rules of the Canadian Electrical Code, Part I.

The requirements are not intended to replace other requirements that are mandated by provincial, federal, or authorities having jurisdiction for aspects other than electrical fire and shock hazards, nor do they specify the performance of signal equipment.

#### Notes:

- 1) While this document does not address the performance aspects of signaling equipment it does specify requirements for the electrical safety of these devices, including functional safety.
- 2) Devices that generate radio frequency signals may also be subject to the requirements of Industry Canada.

This Standard covers equipment that performs a sensing and/or signaling function to convey alarm, trouble, status, or event-based information to the user and any subsequent associated activation function. The signal equipment may be stand alone or a part of a larger system. Signaling may employ wired or wireless means.

Note: The equipment can employ audible, visual, motion, or other signaling means such as chimes, gongs, lights, and displays.

This Standard applies to energy management equipment including sensing, monitoring, and actuation devices. The requirements also apply to home automation systems. The signal sensing components meeting the requirement of this Standard can be included in a smart grid application for energy management, other than for industrial applications.

This Standard applies to components that monitor and control activity, and which are:

- a) are inter-connected in a wireless sensor network (WSN) in a local network;
- b) communicate with local devices that are either wired or wireless.

This Standard also applies to equipment powered by an energy limited Class 2 power supply.

Lighting photo relay systems, stand alone or incorporated within a luminaire, and evaluated as a combination in the final application are within the scope of this Standard.

# PENDANT LOUDSPEAKERS

## SAFETY AGENCY COMPLIANCE

---

This Standard does not apply to devices that are already covered by requirements of another Part II Standard.

Requirements for a specific type of equipment could have additional requirements as defined in Annexes A, B, D, and E.

Sensors used for medical applications for Class A, B, or C facilities (as defined in CSA Z32) are within the scope of the CAN/CSA-E60691 Series, and are not within the scope of this Standard.

Combustible gas detectors are evaluated to the requirements of CSA C22.2 No. 152 and carbon monoxide alarming devices for residential applications are evaluated to the requirements of CAN/CSA-6.19, and are outside the scope of this Standard.

Low level water cut-off is evaluated to the requirements of CSA C22.2 No. 24 and is outside the scope of this Standard.

Safety light curtains and similar products are outside the scope of this Standard.

In this Standard, “shall” is used to express a requirement, i.e., a provision that the user is obliged to satisfy in order to comply with the standard; “should” is used to express a recommendation or that which is advised but not required; and “may” is used to express an option or that which is permissible within the limits of the Standard.

Notes accompanying clauses do not include requirements or alternative requirements; the purpose of a note accompanying a clause is to separate from the text explanatory or informative material.

Notes to tables and figures are considered part of the table or figure and may be written as requirements.

Annexes are designated normative (mandatory) or informative (non-mandatory) to define their application.

### **NFPA 70: Standard for Electrical Safety in the Workplace®**

#### *Scope:*

This standard addresses electrical safety-related work practices, safety-related maintenance requirements, and other administrative controls for employee workplaces that are necessary for the practical safeguarding of employees relative to the hazards associated with electrical energy during activities such as the installation, inspection, operation, maintenance, and demolition of electric conductors, electric equipment, signaling and communications conductors and equipment, and raceways. This standard also includes safe work practices for employees performing other work activities that can expose them to electrical hazards as well as safe work practices for the following:

- (1) Installation of conductors and equipment that connect to the supply of electricity
- (2) Installations used by the electric utility, such as office buildings, warehouses, garages, machine shops, and recreational buildings that are not an integral part of a generating plant, substation, or control center.

# PENDANT LOUDSPEAKERS



## SAFETY AGENCY COMPLIANCE

---

### *Informational Note:*

This standard addresses safety of workers whose job responsibilities entail interaction with electrical equipment and systems with potential exposure to energized electrical equipment and circuit parts. Concepts in this standard are often adapted to other workers whose exposure to electrical hazards is unintentional or not recognized as part of their job responsibilities. The highest risk for injury from electrical hazards for other workers involve unintentional contact with overhead power lines and electric shock from machines, tools, and appliances.

### **CSA C22.1: Canadian Electrical Code - Part I Safety Standard for Electrical Installations**

This Code applies to all electrical work and electrical equipment operating or intended to operate at all voltages in electrical installations for buildings, structures, and premises, including factory-built relocatable and non-relocatable structures, and self-propelled marine vessels stationary for periods exceeding five months and connected to a shore supply of electricity continuously or from time to time, with the following exceptions:

- a) installations or equipment employed by an electric, communication, or community antenna distribution system utility in the exercise of its function as a utility, as recognized by the regulatory authority having jurisdiction, and located outdoors or in buildings or sections of buildings used for that purpose;
- b) equipment and facilities that are used in the operation of an electric railway and are supplied exclusively from circuits that supply the motive power;
- c) installations or equipment used for railway signalling and railway communication purposes, and located outdoors or in buildings or sections of buildings used exclusively for such installations;
- d) aircraft; and
- e) electrical systems in ships that are regulated under Transport Canada.

For mines and quarry applications, see also CSA M421.

This Code and any standards referenced in it do not make or imply any assurance or guarantee by the authority adopting this Code with respect to life expectancy, durability, or operating performance of equipment and materials so referenced.

### **UL 2239: Standard for Safety Hardware for the Support of Conduit, Tubing, and Cable**

1.1 These requirements cover hardware for the support of conduit, tubing, and cable, such as HANGERS, STAPLES, STRAPS, and similar devices for installation in accordance with the National Electrical Code, NFPA 70, and the Canadian Electrical Code (CEC), Part I.

1.2 These requirements also cover STANDOFFS for nonmetallic-sheathed cable, PROTECTOR PLATES, and PROTECTOR BUSHINGS.

1.3 These requirements do not cover hardware for use with surface raceway, wireway, or busway systems, sprinkler systems, and other piping systems used for fire protection service, hardware for use with lighting fixtures, or hardware for grounding and bonding applications.



# PENDANT LOUDSPEAKERS

## SAFETY AGENCY COMPLIANCE

---

1.4 These requirements do not cover:

- a) Hardware intended to support boxes (see UL 514A or CSA C22.2 No. 18.1),
- b) Conduit and cable fittings (see UL 514B or CSA C22.2 No. 18.3),
- c) Reducing washers (see UL 514B or CSA C22.2 No. 18.3),
- d) Pulling grips for cable or cord (see UL 514B or CSA C22.2 No. 18.3),
- e) Cable ties (see UL 62275 or CSA C22.2 No. 62275 or NMJ-J-623-ANCE), or
- f) Positioning devices (see UL 1565 or CSA C22.2 No. 18.5).

