



C60 LOUDSPEAKERS

OVERVIEW

The in-wall speaker was a major breakthrough in the early 80's, allowing homeowners to stop sacrificing real estate on the floor or the bookshelf and have the speakers blend into the wall. The sixty collection builds on this tradition, but does so in a sleek new form factor utilizing new driver shapes and delivering sound quality that is as impressive as its industrial design.

PRODUCT ID



C69



C67

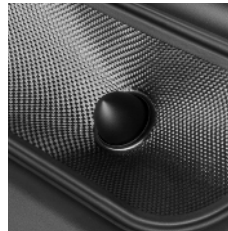


C65



C63

X-WAVE™ WOOFER SURROUND



When a speaker cone reaches its limit of movement and comes to a hard stop, unwanted waves ripple up and down the cone. Our X-Wave Woofer Surround progressively absorbs that impact, prevented unwanted sonic distortion, and improving overall fidelity.

COMPRESSION MOLDED BASKETS



Using time tested and true technique of compression molding, we designed and produced woofer baskets that are both highly stable and acoustically neutral. The result is a reduction in distortion without coloration from the basket itself.



C60 LOUDSPEAKERS

DPSD™ TWEETER



This patented tweeter design that improves high-frequency performance, and that prevents distortion and increases loudness. This secondary stabilization allows the driver to be crossed over at a much lower frequency resulting in improved dispersion and decreased distortion.

EQ ADJUSTMENT



These switches on the baffle allows the adjustment of the output of either the high frequencies or both high and low frequencies to custom tailor the sound based on the proximity of the architectural elements of the room.

SPRING INTO ACTION



Securely mounting the speaker inside the wall is a necessity for full fidelity performance. The patented SpringLock™ mechanism in the Composer Collection clamps against the inside of the drywall creating uniform torque at each pressure point. This assures that the baffle will not warp and the integrity of the seal between the baffle and the drywall will remain constant. (Patent #9366380)

SLIM WOOFER



The use of a 4 x 8" woofer allows the shape of the entire speaker to be thinner and taller giving a sleeker look without compromising the impressive bass response.



C60 LOUDSPEAKERS

<u>SPECIFICATIONS</u>	<u>C60 SERIES</u>
Cutout Dimensions	4 ⁵ / ₈ x 11" (118 x 278mm)
Speaker Dimensions	5 ¹ / ₂ x 11 ¹³ / ₁₆ " (140 x 300mm)
Grille Dimensions	5 ¹⁵ / ₁₆ x 12 ⁷ / ₃₂ " (150 x 310mm)
Mounting Depth	3 ³ / ₄ " (95mm)

SPECIFICATIONS

C69

C67

Part	SWM12900	SWM12700
Woofer Cone	Kevlar	Glass Fiber
Woofer Dimensions	4 x 8" (102 x 203mm)	4 x 8" (102 x 203mm)
Tweeter Dome	Silk DPSD	Silk DPSD
Tweeter Diameter	1" (25mm)	1" (25mm)
Frequency Response	40 Hz - 20 kHz	43 Hz - 20 kHz
Impedance	8 ohm	8 ohm
Power Handling	25 - 140 Watts	25 - 125 Watts

SPECIFICATIONS

C65

C63

Part	SWM12500	SWM12300
Woofer Cone	IMG	Polypropylene
Woofer Dimensions	4 x 8" (102 x 203mm)	4 x 8" (102 x 203mm)
Tweeter Dome	Aluminum	Aluminum
Tweeter Diameter	1" (25mm)	1" (25mm)
Frequency Response	45 Hz - 20 kHz	45 Hz - 20 kHz
Impedance	8 ohm	8 ohm
Power Handling	25 - 110 Watts	25 - 110 Watts

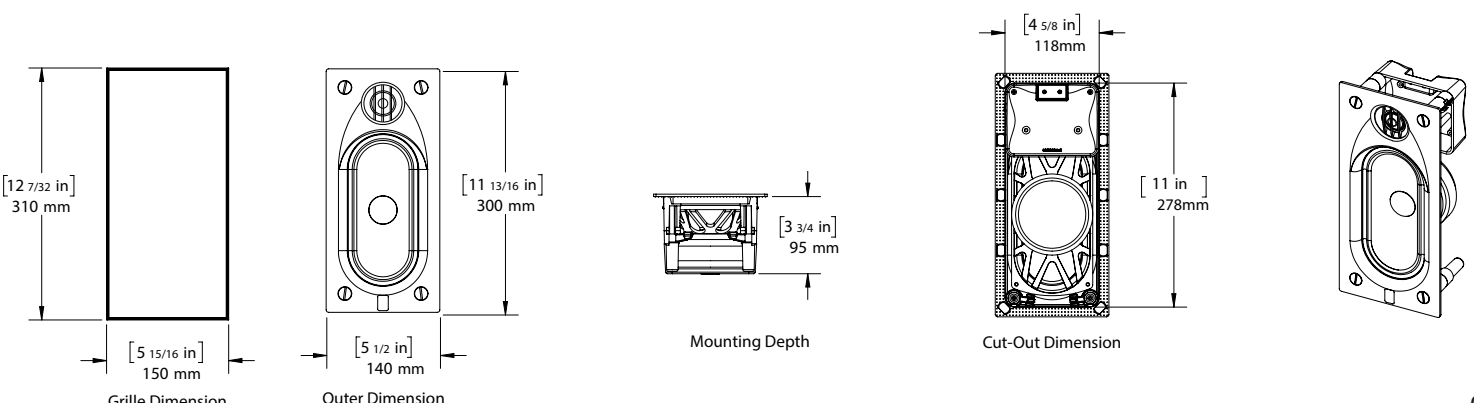
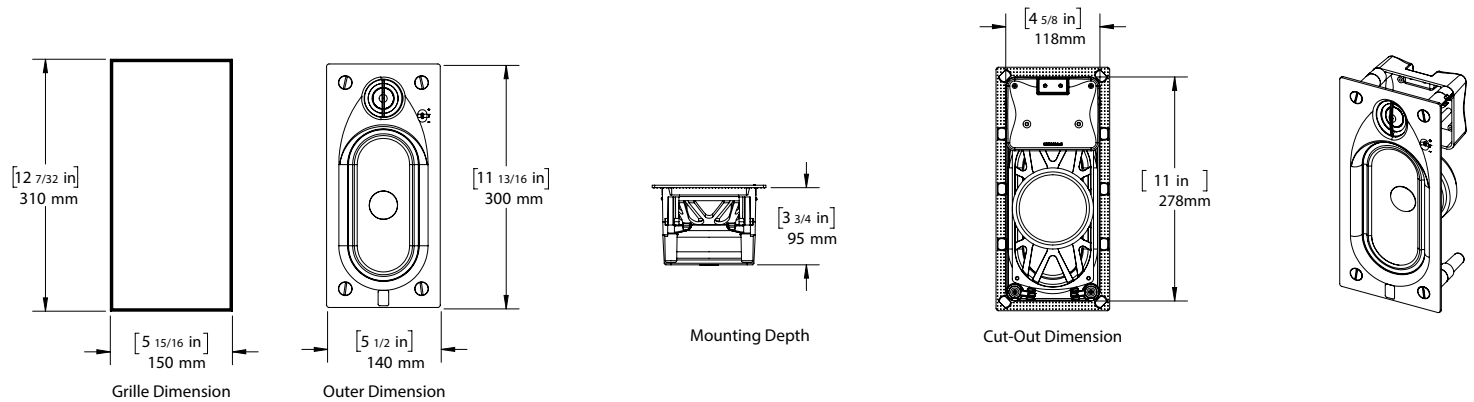
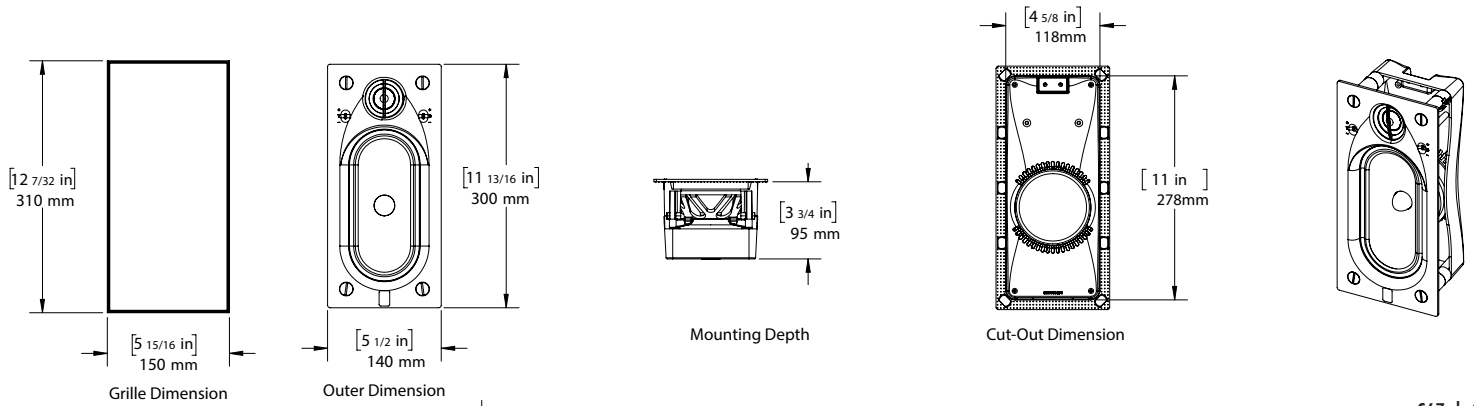


Please visit docs.originacoustics.com or scan the QR code using your smart device for the most up to date specifications and use instructions for this product. Products may only be purchased through an authorized integration partner.



C60 LOUDSPEAKERS

LINE DRAWINGS



Please visit docs.originacoustics.com or scan the QR code using your smart device for the most up to date specifications and use instructions for this product. Products may only be purchased through an authorized integration partner.