



ORIGIN
ACOUSTICS®



TF60 & TF30 Series ThinFit Collection

Designed for specific installation applications, the ThinFit Collection addresses the need for speakers with limited depth and integrated enclosures. Three models with two different driver configurations all fit into the standard 6"/8" new construction brackets used for the Director Collection and also include the same sleek bezelless grille.



TF64DT



TF36



TF34

Director Technology

The entire speaker pivots allowing the sound to be directed toward the listening area from anywhere in the room.

DPSD™ Tweeter

This patented tweeter has the greatest output and is able to crossover much lower to either the woofer or the midrange improving both dispersion and the frequency response.

Multi-Driver Arrangement

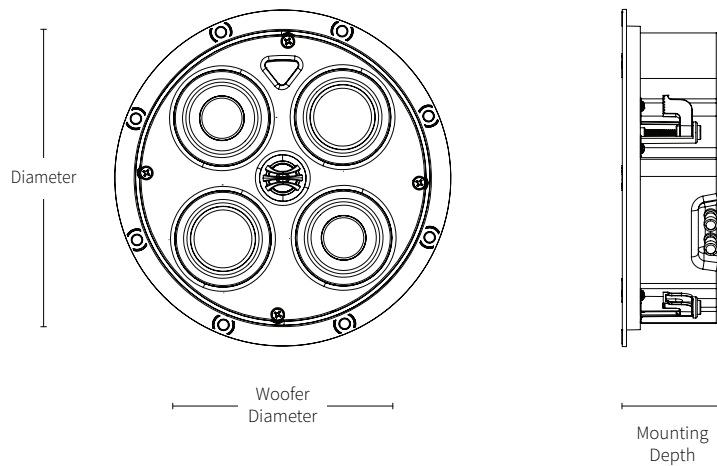
TF30s contain four drivers, with two woofers dedicated to mid-range frequencies. This configuration is a perfect means of producing impressive sound quality from a very thin enclosure.

Powder Coated Steel Back-Can

The sealed enclosures on the ThinFit collection protect the loudspeaker's components and reduce sound transfer between rooms. With a mounting depth of only 2.75" (70mm), ThinFit speakers can fit in the tightest spaces.

Specifications

Model	TF64DT	TF36	TF34
Part Number	STF2T6400	STF3600	STF3400
Woofer Cone	IMG	Glass Fiber	IMG
Woofer Dimensions	6.5" (165mm)	3.5" (89mm)	3.5" (89mm)
Tweeter Dome	Aluminum	Silk DPSD	Aluminum
Tweeter Diameter	0.75" (20mm)	0.75" (20mm)	0.75" (20mm)
Frequency Response	45 Hz - 20 kHz	50 Hz - 20 kHz	55 Hz - 20 kHz
Impedance	8 ohm	8 ohm	8 ohm
Power Handling	5 - 140 Watts	5 - 110 Watts	5 - 90 Watts
Diameter	9.61" (244mm)	9.61" (244mm)	9.61" (244mm)
Grille Diameter	10" (254mm)	10" (254mm)	10" (254mm)
Cutout Diameter	8.75" (222mm)	8.75" (222mm)	8.75" (222mm)
Mounting Depth	2.76" (70mm)	2.68" (68mm)	2.68" (68mm)



*Not to Scale